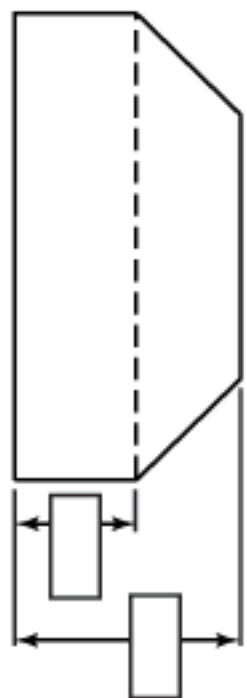
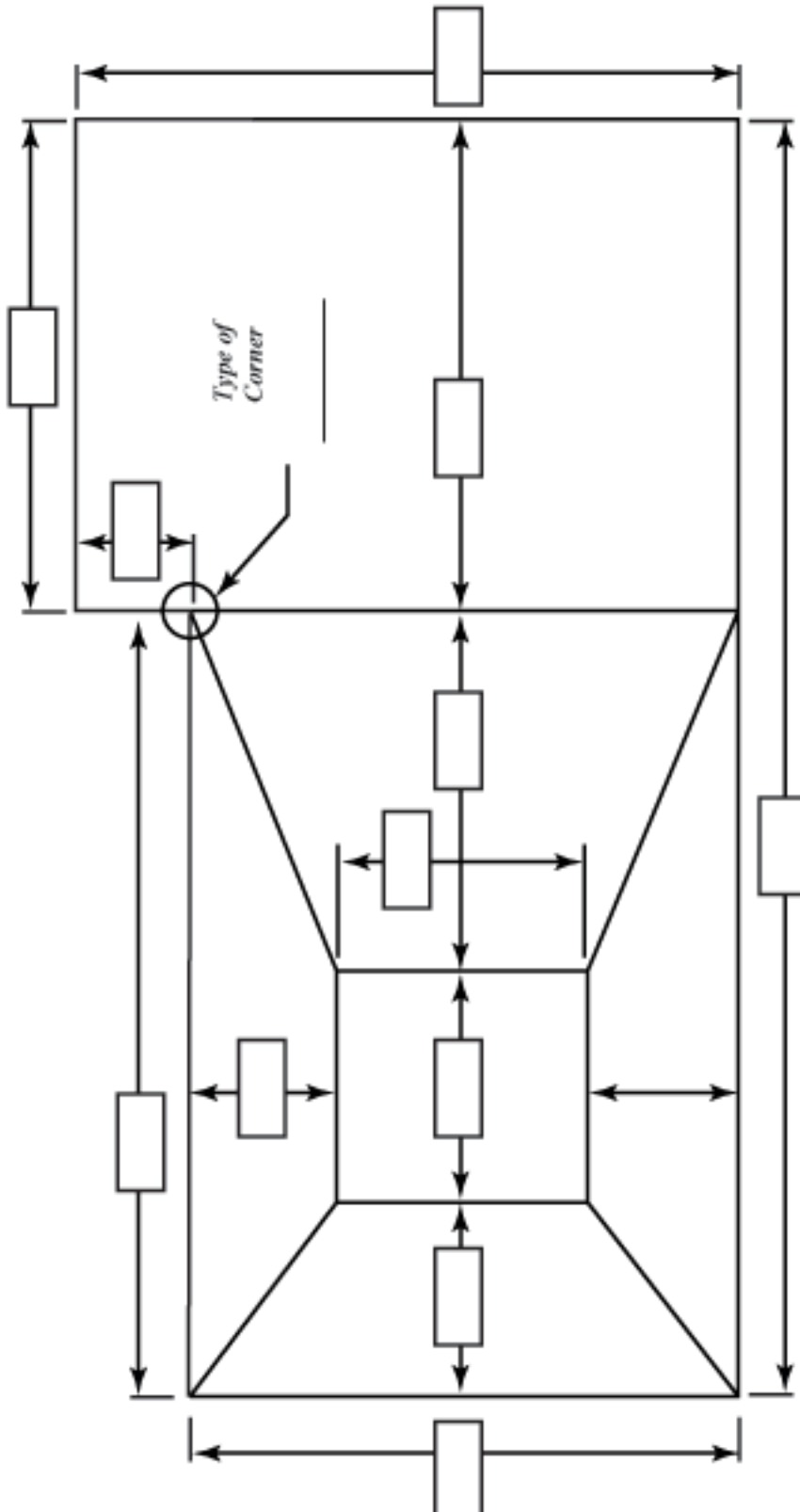


TRUE-L RIGHT



- Hung (Beaded)
- Overlap (How Much? _____)

CORNERS

- Square
 - Radius
 - Diagonal
- How many inches? _____
- How many inches? _____

PATTERN SELECTION FOR LINER

Tile: _____

Floor: _____

Overall Pattern: _____

ADDITIONAL COMMENTS

CUSTOMER INFORMATION

Company: _____

PO# _____ Label _____

Ship To: _____
