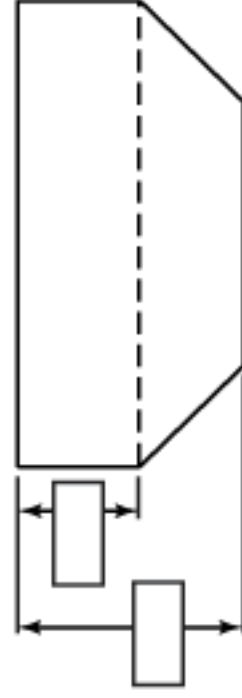
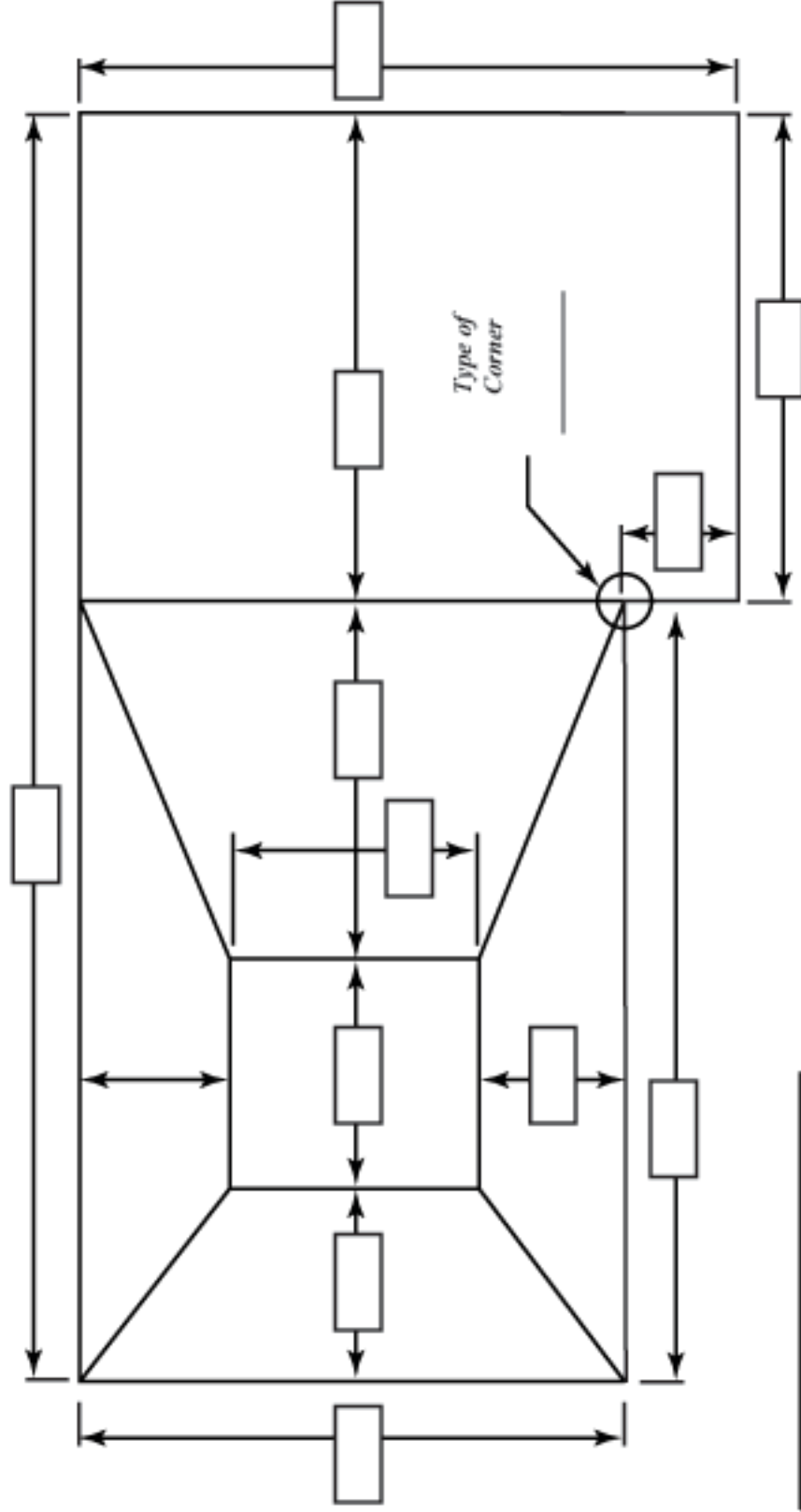


TRUE-L LEFT



PATTERN SELECTION FOR LINER

Tile: _____
Floor: _____

Overall Pattern: _____

ADDITIONAL COMMENTS

- Hung (Beaded)
- Overlap (How Much? _____)

CORNERS

- Square
- Radius (How many inches? _____)
- Diagonal (How many inches? _____)

CUSTOMER INFORMATION

Company: _____
 PO# _____ Label _____
 Ship To: _____