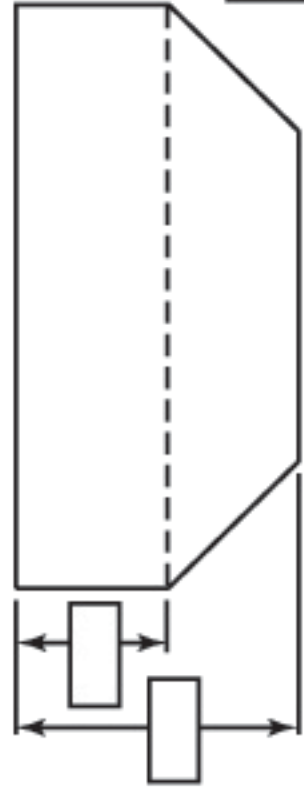
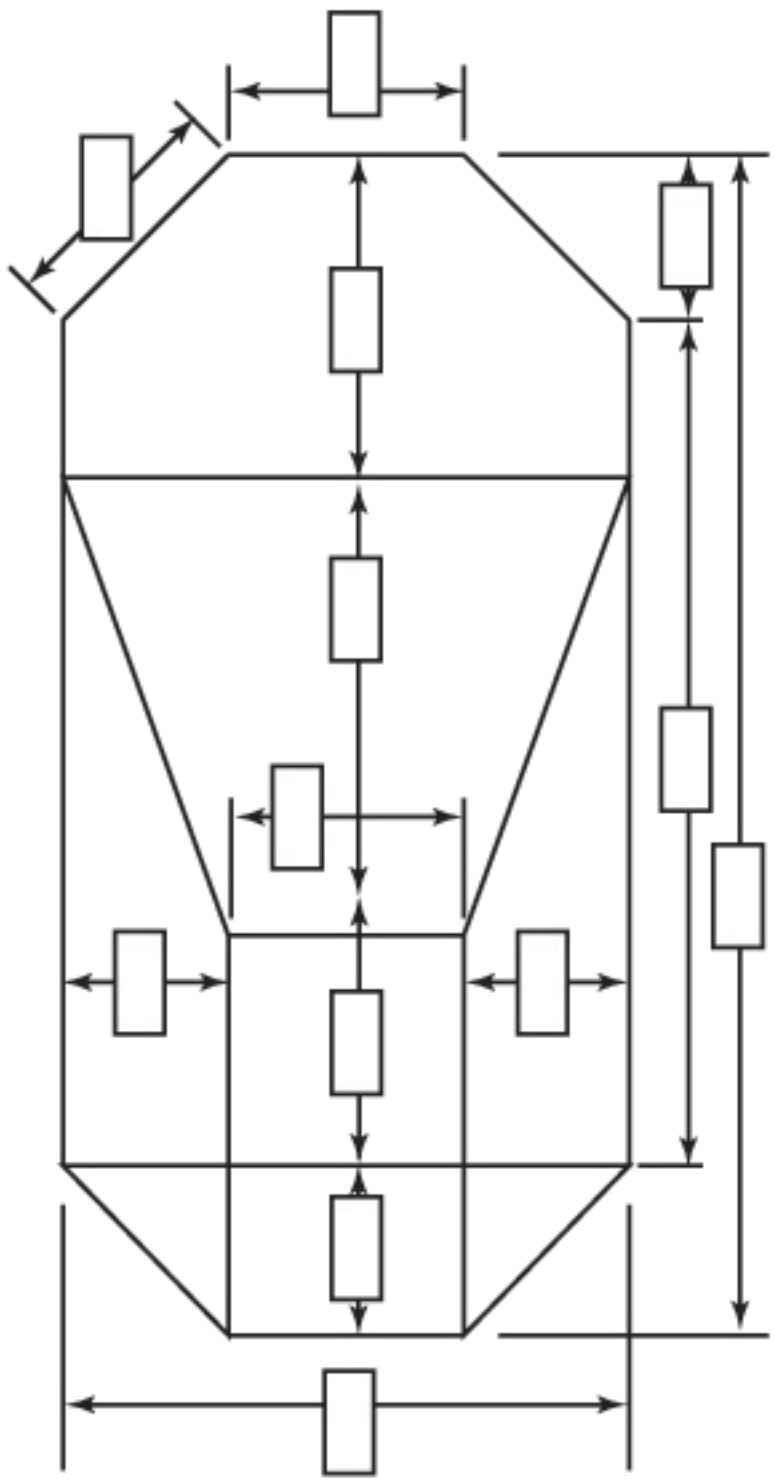


**= GRECIAN SQUARE HOPPER**



**PATTERN SELECTION FOR LINER**


**Tile:** \_\_\_\_\_  
**Floor:** \_\_\_\_\_  
**Overall Pattern:** \_\_\_\_\_

**ADDITIONAL COMMENTS**

Hung (Beaded)  
 Overlap  
 (How Much? \_\_\_\_\_ )

**CORNERS**

Square  Radius  Diagonal

 90°   How many inches?  
  How many inches?

**CUSTOMER INFORMATION**

Company: \_\_\_\_\_  
 PO# \_\_\_\_\_ Label  
 Ship To: \_\_\_\_\_  
 \_\_\_\_\_  
 \_\_\_\_\_